



NJ 328 ECM

- SKF Explorer

Cylindrical roller bearings, single row

Bearing data

[Tolerances](#),

Normal (metric), P6, Normal (inch),

[Radial internal clearance](#),

cylindrical bore, tapered bore,

[Axial internal clearance](#),

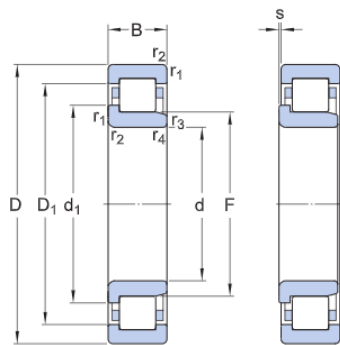
NUP, NJ + HJ

Bearing interfaces

[Seat tolerances for standard conditions](#),

[Tolerances and resultant fit](#)

Technical specification

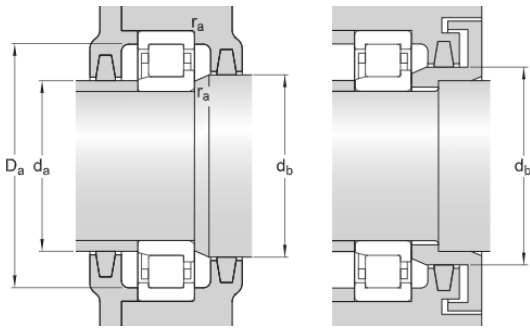


DIMENSIONS

d	140 mm	Bore diameter
D	300 mm	Outside diameter
B	62 mm	Width
d1	≈195 mm	Shoulder diameter of inner ring
D1	≈250.6 mm	Shoulder diameter of outer ring
F	180 mm	Chamfer dimension of loose flange ring
r1,2	min.4 mm	Chamfer dimension
r3,4	min.4 mm	Chamfer dimension
s	max.3.7 mm	Permissible axial displacement

ABUTMENT DIMENSIONS

da	min.157 mm	Diameter of spacer sleeve
da	max.175 mm	Diameter of spacer sleeve
db	min.199 mm	Diameter of shaft abutment
	max.282.5 mm	Diameter of



Da	mm	housing abutment
ra	max.3 mm	Radius of fillet

CALCULATION DATA

Basic dynamic load rating	C	780 kN
Basic static load rating	C ₀	830 kN
Fatigue load limit	P _u	88 kN
Reference speed		2 400 r/min
Limiting speed		2 800 r/min
Minimum load factor	k _r	0.15
Limiting value	e	0.2
Axial load factor	Y	0.6

MASS

Mass	23.1 kg
------	---------

ASSOCIATED PRODUCTS

Angle ring	HJ 328 EC
------------	-----------